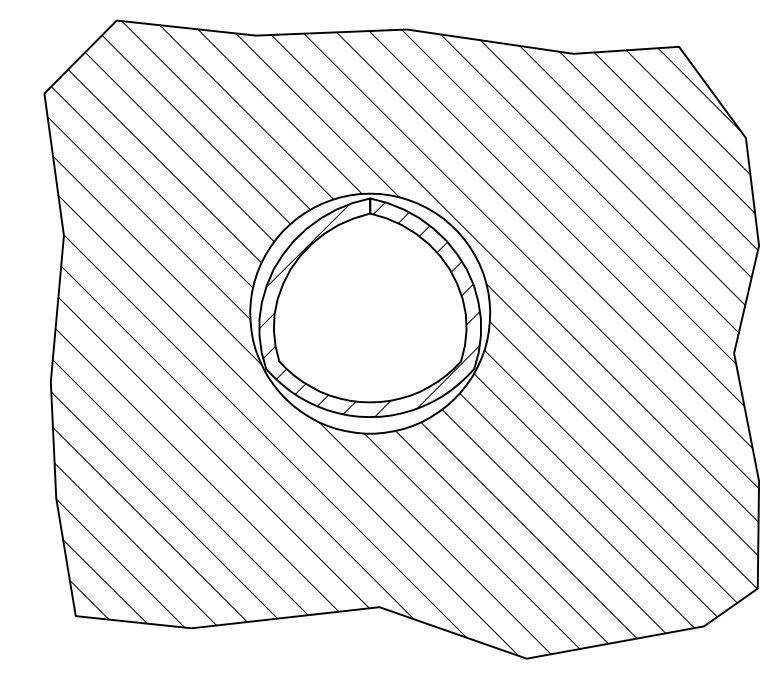
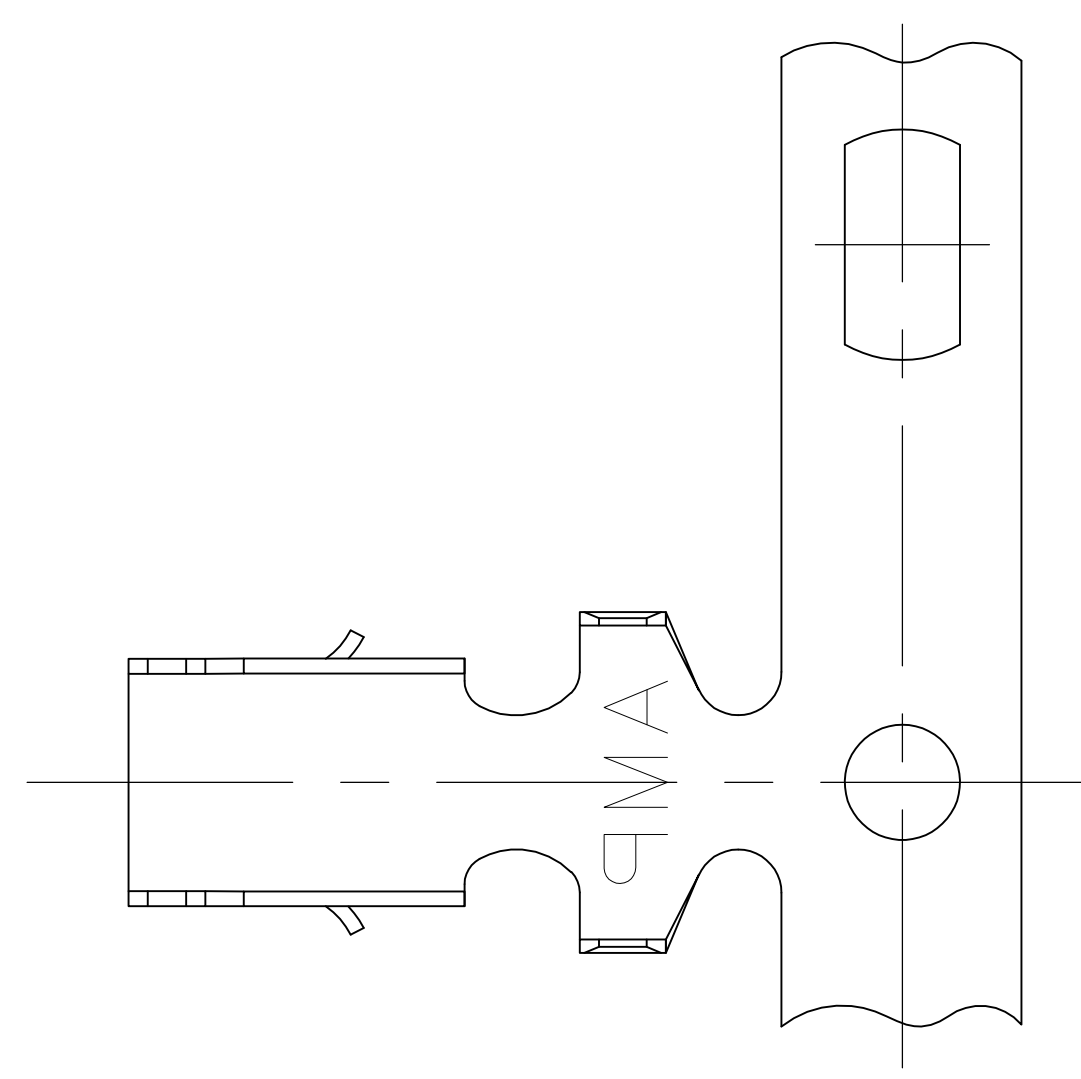
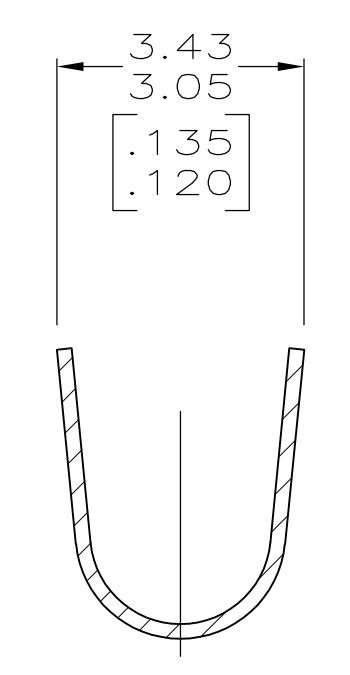
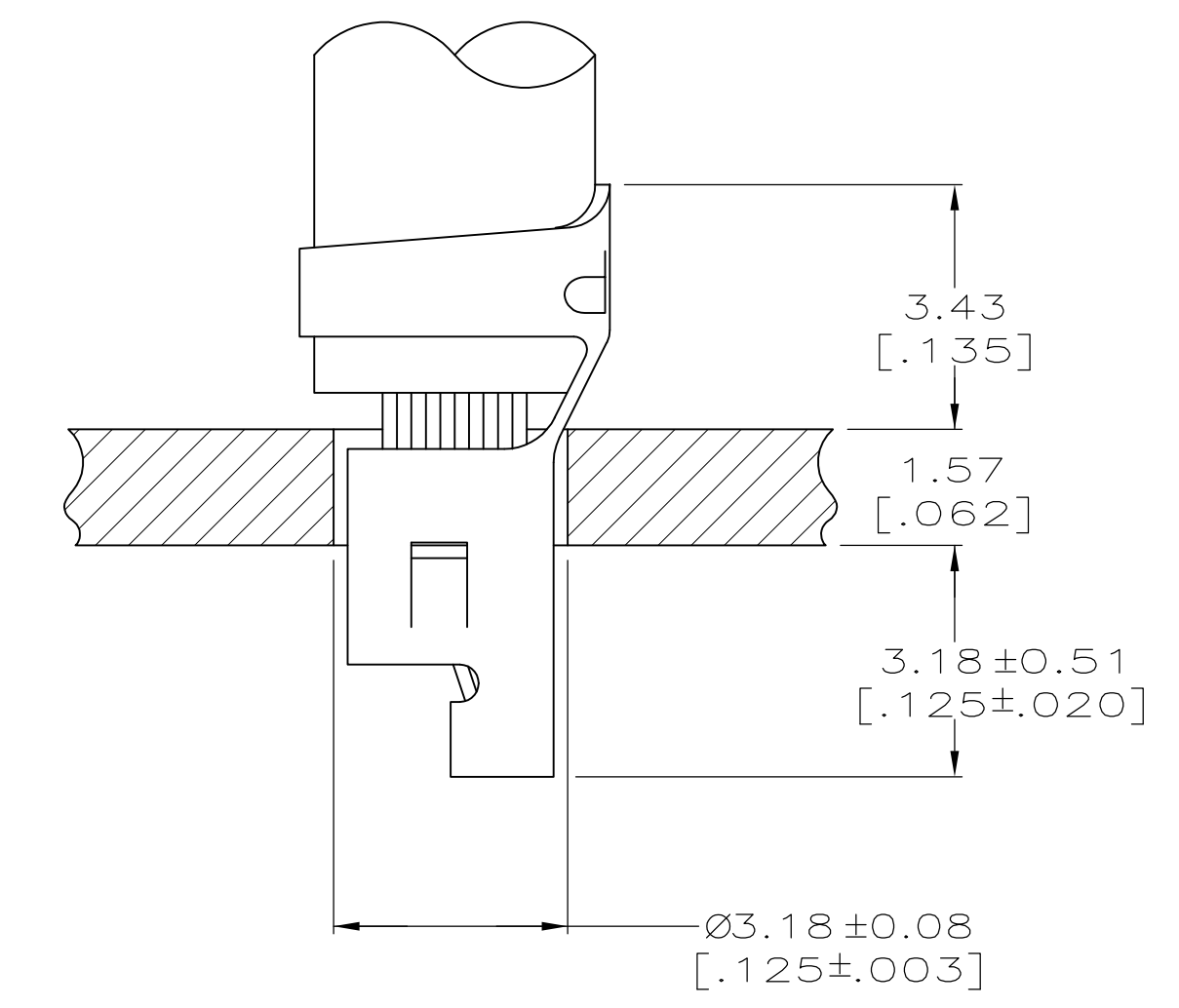
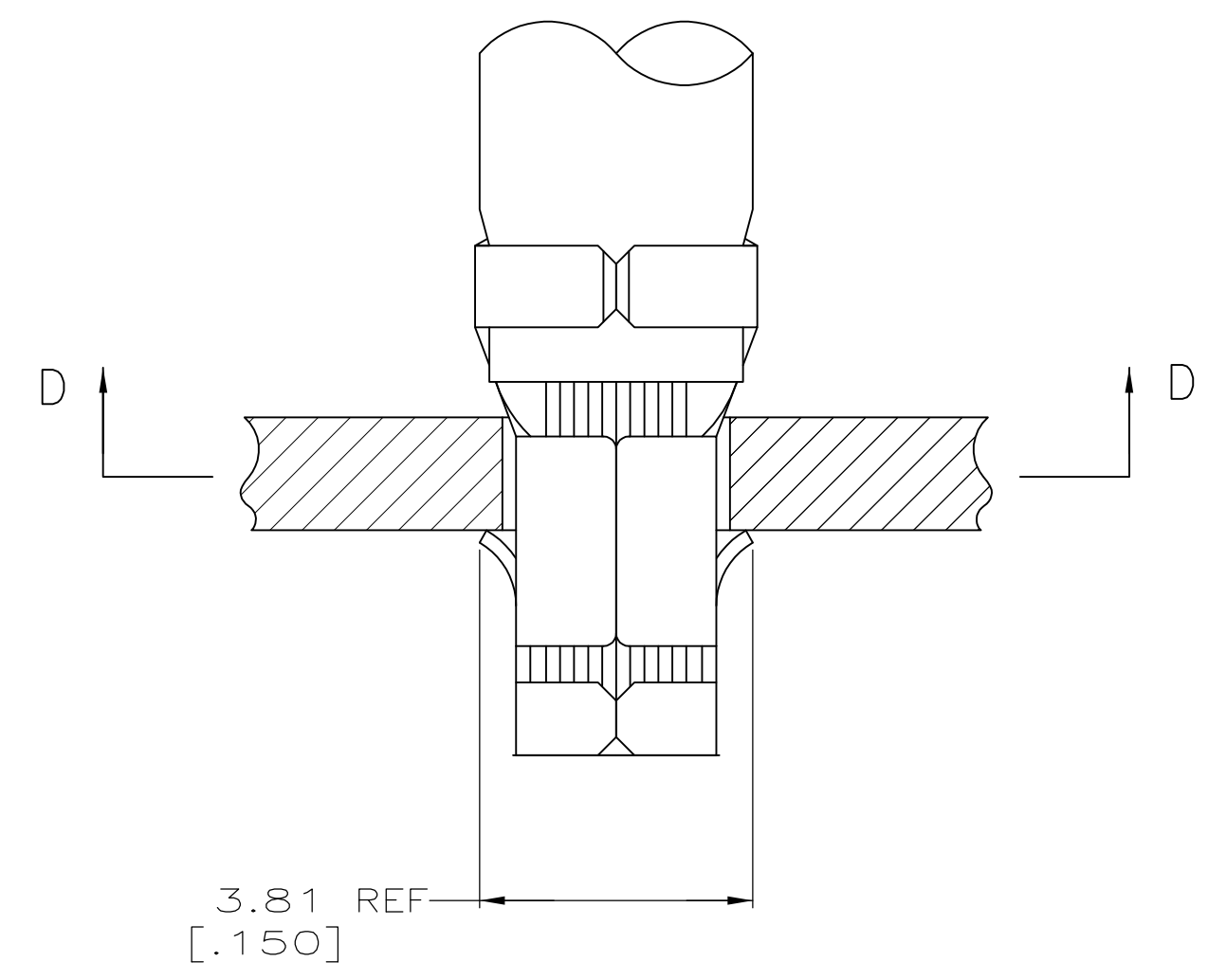
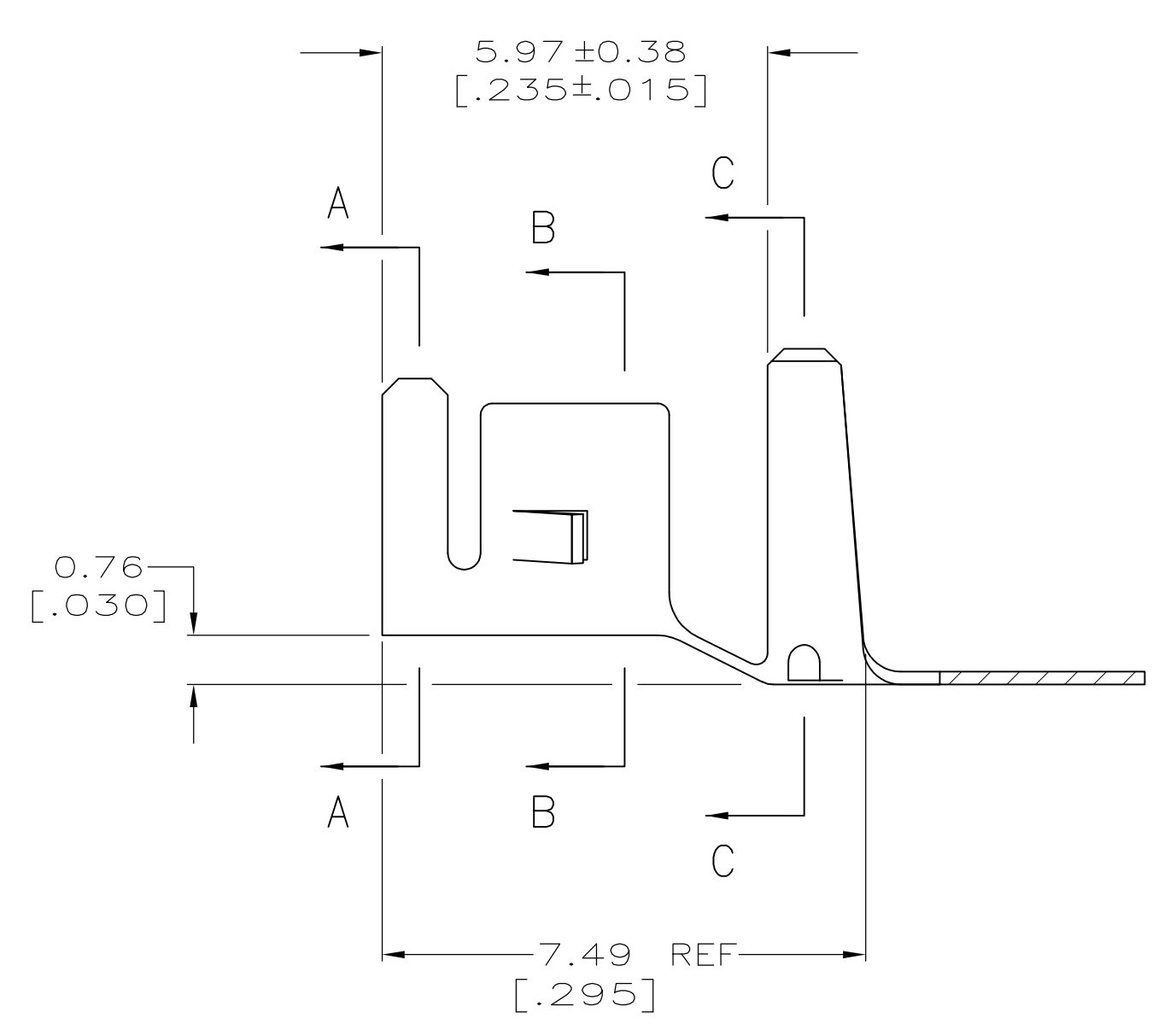


| LOC | | DIST | | REVISIONS | | | |
|-----|---------------------------|------|---------|-----------|------|------|--|
| CM | 00 | REV | DATE | BY | CHKD | APVD | |
| N4 | REVISED PER ECO-12-014997 | | 22AUG12 | KH | SM | | |

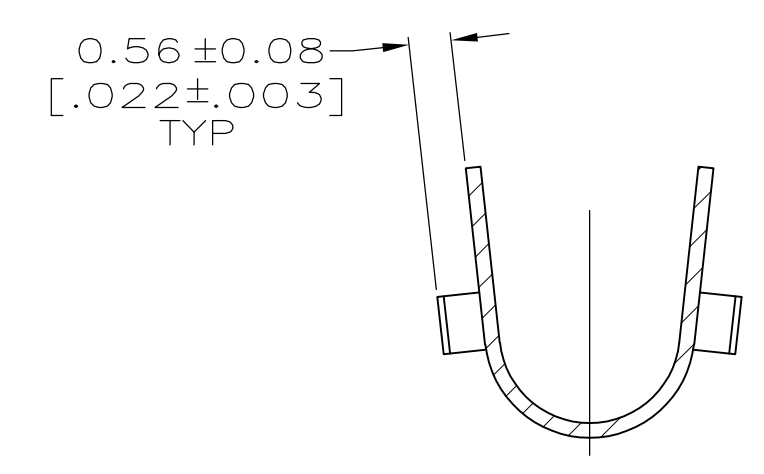
- 1 PARTS COMPLY WITH AMP SOLDERABILITY SPEC 109-11-3.
- 2 0.00508 [.000200] MIN BRIGHT TIN-LEAD.
- 3 WIRE RANGE: 0.80 - 2.0 mm² [18 - 14 AWG].
- 4 INSULATION RANGE: 2.29 - 3.81 [.090 - .150] DIA.
- 5 DIMENSIONS IN BRACKETS ARE IN INCHES.
- 6 0.00508 [.000200] MIN BRIGHT TIN.



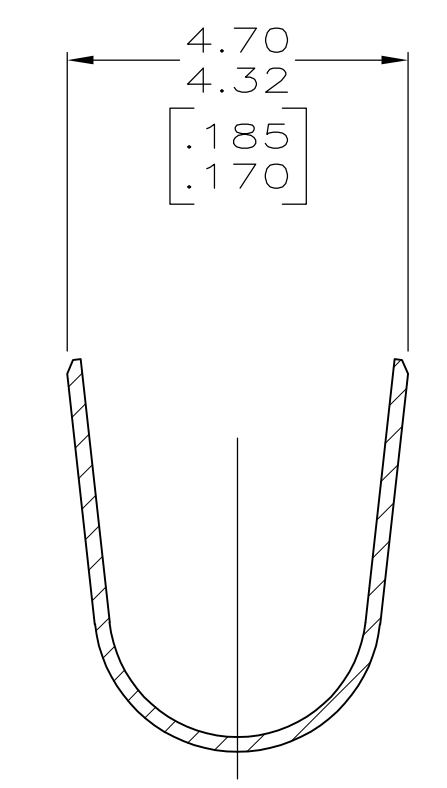
SECTION D-D



SECTION A-A



SECTION B-B



SECTION C-C

METRIC

| | | |
|---------------|--------|------------|
| | 6 | 3-770060-1 |
| SUPERSEDED BY | 2 | -770060-1 |
| | FINISH | PART NO. |

| | | | | | |
|--|--|--|--|---------------------|--|
| THIS DRAWING IS A CONTROLLED DOCUMENT. | | DIN S. CARPENTER 22AUG2003 | | STE TE Connectivity | |
| DIMENSIONS: INCHES | | TOLERANCES UNLESS OTHERWISE SPECIFIED: | | NAME | |
| 0.198 [.0078] PH BRZ | | FINISH | | APPLICATION SPEC | |
| MATERIAL | | FINISH | | WEIGHT | |
| 0.198 [.0078] PH BRZ | | FINISH | | A1 00779 C=770060 | |
| CUSTOMER DRAWING | | SCALE 10:1 | | SHEET 1 OF 1 REV N4 | |